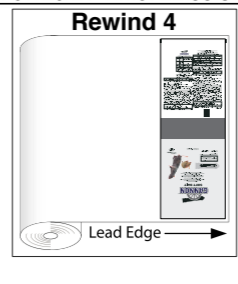




19 - LIPHA-TECH

Date: 07/26/21 Time: 22:55:37



Description: Part#: UPC#: Die#: Template: 72852 Old Label#:

Size: 32" AC x 11.5" AR Rewind#: 4 WHITE Finish: ULTIMATE GLOSS (>= 71) Stock: 4.50 MIL WHITE LLDPE

Flood(s): White Ink Color(s):



ACCEPTED FOR REGISTRATION Doc. ID 581842

July 11, 2022

New York State Department of Environmental Conservation Division of Solid & Hazardous Materials Pesticide Product Registration

FLATLINE®

SOFT BAIT

FLATLINE IS ATTRACTIVE TO RODENTS FOR INDOOR AND OUTDOOR USE KILLS NORWAY RATS, ROOF RATS, AND HOUSE MICE KILLS RATS, MICE, DEER MICE, PACK RATS*, AND MEADOW VOLES* CONVENIENT AND EASY-TO-USE HELPS STOP DAMAGE CAUSED BY RODENTS

Active Ingredient: chlorophacinone 0.005% Other Ingredients 99.995% Total 100.000%

KEEP OUT OF REACH OF CHILDREN CAUTION: See back panel for additional precautionary statements.

LIPHA-TECH

Liphatech, Inc. 3600 W. Elm Street Milwaukee, WI 53209 800-351-1476

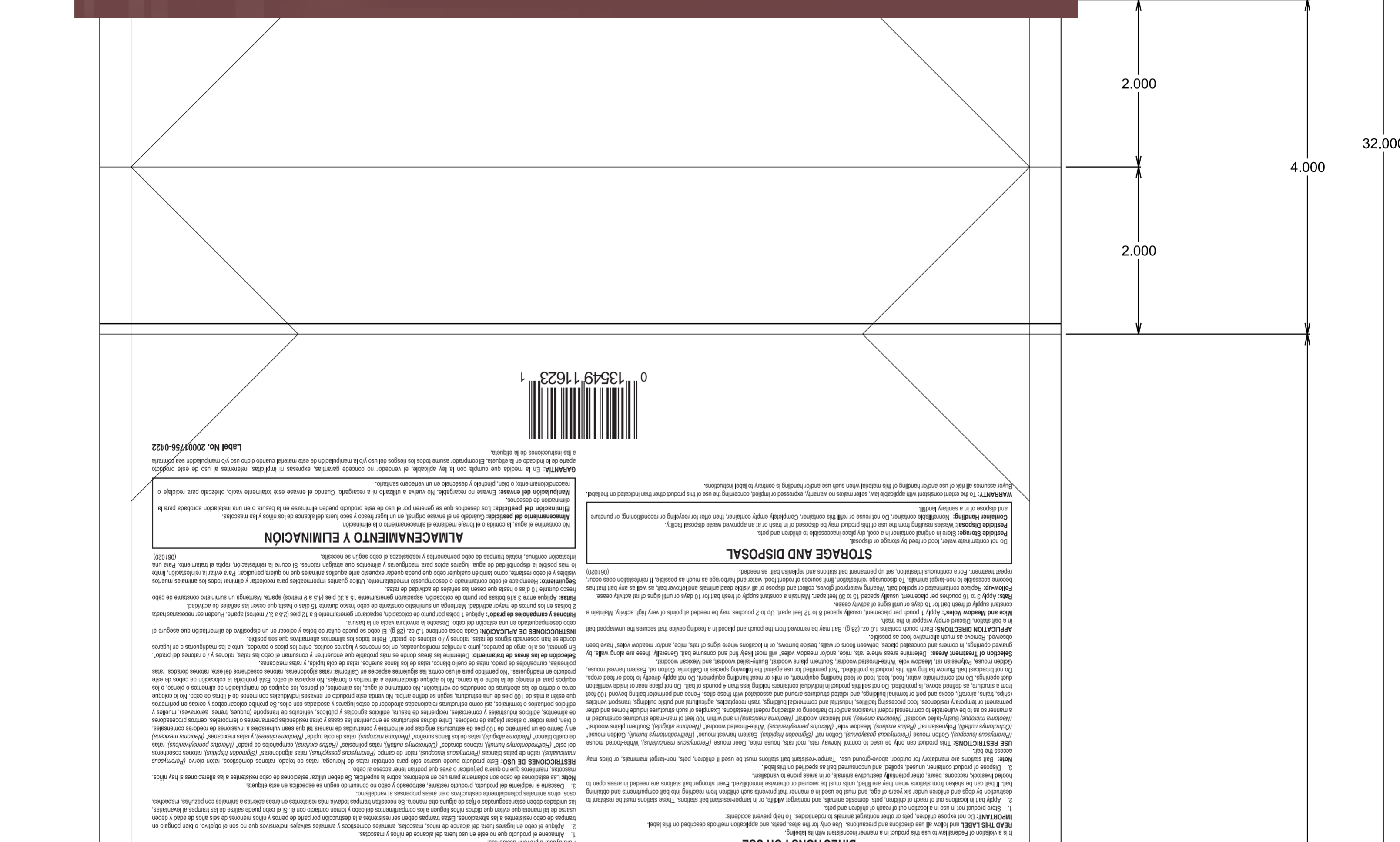
EPA Reg. No. 7173-308 EPA Est. No. 7173-WI-1 Product No. 80011623

Do not sell this product in individual containers holding less than 4 pounds of bait.

This bait is packaged in 1.0 ounce (28 grams) individual pouches

*Use not permitted in California

Net Weight: 4 lbs. (1.8 kg)



Label No. 20001756-0422

WARRANTY: To the extent consistent with applicable law, Liphatech, Inc. warrants that the product is free from defects in material and workmanship at the time of shipment. Liphatech, Inc. warrants that the product is free from defects in material and workmanship at the time of shipment. Liphatech, Inc. warrants that the product is free from defects in material and workmanship at the time of shipment.

STORAGE AND DISPOSAL: Do not store in areas where children and pets frequent. Do not store in areas where children and pets frequent. Do not store in areas where children and pets frequent.

PRECAUTIONARY STATEMENTS: HAZARD TO HUMANS AND DOMESTIC ANIMALS: Irritant. May cause respiratory irritation. May cause eye irritation. May cause skin irritation.

PRECAUTIONS FOR PERSONS AND ANIMALS: Avoid contact with eyes. Avoid contact with skin. Avoid contact with clothing.

DECLARACIONES PREVIAS: Este producto es un plaguicida. Evite el contacto con los ojos. Evite el contacto con la piel. Evite el contacto con la ropa.

DECLARACIONES PREVIAS: Este producto es un plaguicida. Evite el contacto con los ojos. Evite el contacto con la piel. Evite el contacto con la ropa.

DECLARACIONES PREVIAS: Este producto es un plaguicida. Evite el contacto con los ojos. Evite el contacto con la piel. Evite el contacto con la ropa.

DECLARACIONES PREVIAS: Este producto es un plaguicida. Evite el contacto con los ojos. Evite el contacto con la piel. Evite el contacto con la ropa.

DECLARACIONES PREVIAS: Este producto es un plaguicida. Evite el contacto con los ojos. Evite el contacto con la piel. Evite el contacto con la ropa.

DECLARACIONES PREVIAS: Este producto es un plaguicida. Evite el contacto con los ojos. Evite el contacto con la piel. Evite el contacto con la ropa.

DECLARACIONES PREVIAS: Este producto es un plaguicida. Evite el contacto con los ojos. Evite el contacto con la piel. Evite el contacto con la ropa.

DECLARACIONES PREVIAS: Este producto es un plaguicida. Evite el contacto con los ojos. Evite el contacto con la piel. Evite el contacto con la ropa.

DECLARACIONES PREVIAS: Este producto es un plaguicida. Evite el contacto con los ojos. Evite el contacto con la piel. Evite el contacto con la ropa.

DECLARACIONES PREVIAS: Este producto es un plaguicida. Evite el contacto con los ojos. Evite el contacto con la piel. Evite el contacto con la ropa.

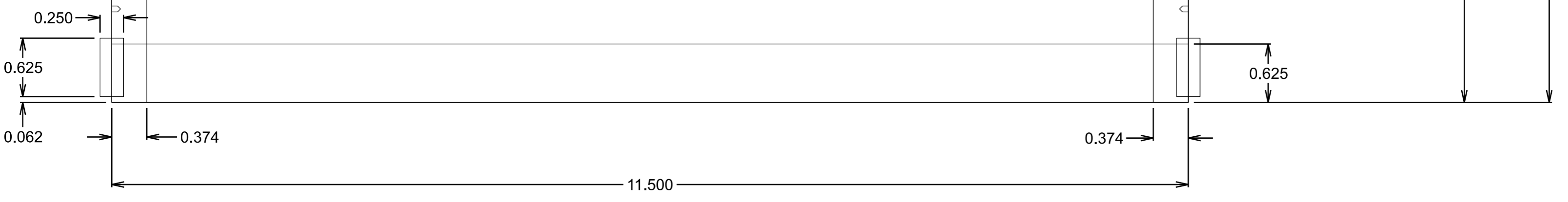
DECLARACIONES PREVIAS: Este producto es un plaguicida. Evite el contacto con los ojos. Evite el contacto con la piel. Evite el contacto con la ropa.

DECLARACIONES PREVIAS: Este producto es un plaguicida. Evite el contacto con los ojos. Evite el contacto con la piel. Evite el contacto con la ropa.

DECLARACIONES PREVIAS: Este producto es un plaguicida. Evite el contacto con los ojos. Evite el contacto con la piel. Evite el contacto con la ropa.

DECLARACIONES PREVIAS: Este producto es un plaguicida. Evite el contacto con los ojos. Evite el contacto con la piel. Evite el contacto con la ropa.

DECLARACIONES PREVIAS: Este producto es un plaguicida. Evite el contacto con los ojos. Evite el contacto con la piel. Evite el contacto con la ropa.



FIRST AID	
If swallowed:	<ul style="list-style-type: none"> • Call a poison control center or doctor immediately for treatment advice. • Have person sip a glass of water if able to swallow. • Do not induce vomiting unless told to do so by the poison control center or doctor. • Do not give anything by mouth to an unconscious person.
If in eyes:	<ul style="list-style-type: none"> • Hold eye open and rinse slowly and gently with water for 15-20 minutes. • Remove contact lenses, if present, after the first 5 minutes, then continue rinsing eye. • Call a poison control center or doctor immediately for treatment advice.
If on skin or clothing:	<ul style="list-style-type: none"> • Take off contaminated clothing. • Rinse skin with plenty of water for 15-20 minutes. • Call a poison control center or doctor immediately for treatment advice.
Have the product container or label with you when calling a poison control center or doctor, or going for treatment.	
TREATMENT FOR PET POISONING: If animal eats bait, call veterinarian at once.	
NOTE TO PHYSICIAN OR VETERINARIAN: Contains the anticoagulant chlorophacinone. If swallowed, this material may reduce the clotting ability of blood and cause bleeding. For humans or animals ingesting bait and/or showing obvious poisoning symptoms (bleeding or prolonged prothrombin times), give Vitamin K ₁ intramuscularly or orally. Repeat as necessary based on monitoring of prothrombin times.	

PRECAUTIONARY STATEMENTS

HAZARD TO HUMANS AND DOMESTIC ANIMALS

CAUTION: Harmful if swallowed. Harmful if absorbed through the skin. Avoid contact with eyes, skin or clothing. Keep away from children, domestic animals and pets. All handlers (including applicators) must wear long pants, shoes, socks, and waterproof gloves. Any person who retrieves carcasses or unused bait following application of this product must wear waterproof gloves.

User Safety Requirements: Follow manufacturer's instructions for cleaning/maintaining PPE. If no such instructions for washables exist, use detergent and hot water. Keep and wash PPE separately from other laundry. Remove PPE immediately after handling this product. Wash the outside of gloves before removing them. As soon as possible, wash hands thoroughly after applying bait and before eating, drinking, chewing gum, using tobacco or using the toilet, and change into clean clothing.

ENVIRONMENTAL HAZARDS: This product is extremely toxic to mammals and birds. Dogs, cats and other predatory and scavenging mammals and birds might be poisoned if they feed upon animals that have eaten this bait. Do not apply directly to water, or to areas where surface water is present, or to intertidal areas below the mean high water mark. Do not contaminate water when disposing of equipment wash water or rinsate.

DIRECTIONS FOR USE

It is a violation of Federal law to use this product in a manner inconsistent with its labeling.

READ THIS LABEL and follow all use directions and precautions. Use only for the sites, pests, and application methods described on this label.

IMPORTANT: Do not expose children, pets or other nontarget animals to rodenticides. To help prevent accidents:

1. Store product not in use in a location out of reach of children and pets.
2. Apply bait in locations out of reach of children, pets, domestic animals, and nontarget wildlife, or in tamper-resistant bait stations. These stations must be resistant to destruction by dogs and children under six years of age, and must be used in a manner that prevents such children from reaching into bait compartments and obtaining bait. If bait can be shaken from stations when they are lifted, units must be secured or otherwise immobilized. Even stronger bait stations are needed in areas open to hoofed livestock, raccoons, bears, other potentially destructive animals, or in areas prone to vandalism.
3. Dispose of product container, unused, spoiled, and unconsumed bait as specified on this label.

Note: Bait stations are mandatory for outdoor, above-ground use. Tamper-resistant bait stations must be used if children, pets, non-target mammals, or birds may access the bait.

FLATLINE[®] FLAMILINE[®] SOFT BAIT

FLATLINE IS ATTRACTIVE TO RODENTS

FOR INDOOR AND OUTDOOR USE

KILLS NORWAY RATS, ROOF RATS, AND HOUSE MICE

KILLS RATS, MICE, DEER MICE, PACK RATS*, AND MEADOW VOLES*

KILLS OTHER RODENT SPECIES AS LISTED ON THIS LABEL

CONVENIENT AND EASY-TO-USE

HELPS STOP DAMAGE CAUSED BY RODENTS

Active Ingredient: chlorophacinone..... 0.005%
Other Ingredients..... 99.995%
Total..... 100.000%

KEEP OUT OF REACH OF CHILDREN CAUTION

See side panel for additional precautionary statements.

LIPHA[®]TECH

Liphatech, Inc.
3600 W. Elm Street
Milwaukee, WI 53209
800-351-1476

Do not sell this product in individual containers
holding less than 4 pounds of bait.

This bait is packaged in 1.0 ounce
(28 grams) individual pouches

*Use not permitted in California

Net Weight: 32 lbs. (14.5 kg) (4 lbs. x 8) Case

USE RESTRICTIONS: This product can only be used to control Norway rats, roof rats, house mice, Deer mouse (*Peromyscus maniculatus*), White-footed mouse (*Peromyscus leucopus*), Cotton mouse (*Peromyscus gossypinus*), Cotton rat* (*Sigmodon hispidus*), Eastern harvest mouse* (*Reithrodontomys humulii*), Golden mouse* (*Ochrotomys nuttalli*), Polynesian rat* (*Rattus exulans*), Meadow vole* (*Microtus pennsylvanicus*), White-throated woodrat* (*Neotoma albigula*), Southern plains woodrat* (*Neotoma micropus*), Bushy-tailed woodrat* (*Neotoma cinerea*), and Mexican woodrat* (*Neotoma mexicana*) in and within 100 feet of man-made structures constructed in a manner so as to be vulnerable to commensal rodent invasions and/or to harboring or attracting rodent infestations. Examples of such structures include homes and other permanent or temporary residences, food processing facilities, industrial and commercial buildings, trash receptacles, agricultural and public buildings, transport vehicles (ships, trains, aircraft), docks and port or terminal buildings, and related structures around and associated with these sites. Fence and perimeter baiting beyond 100 feet from a structure, as defined above, is prohibited. Do not sell this product in individual containers holding less than 4 pounds of bait. Do not place near or inside ventilation duct openings. Do not contaminate water, food, feed, food or feed handling equipment, or milk or meat handling equipment. Do not apply directly to food or feed crops. Do not broadcast bait. Burrow baiting with this product is prohibited.

*Not permitted for use against the following species in California: Cotton rat, Eastern harvest mouse, Golden mouse, Polynesian rat, Meadow vole, White-throated woodrat, Southern plains woodrat, Bushy-tailed woodrat, and Mexican woodrat.

Selection of Treatment Areas: Determine areas where rats, mice, and/or meadow voles* will most likely find and consume bait. Generally, these are along walls, by gnawed openings, in corners and concealed places, between floors or walls, beside burrows, or in locations where signs of rats, mice, and/or meadow voles* have been observed. Remove as much alternative food as possible.

APPLICATION DIRECTIONS: Each pouch contains 1.0 oz. (28 g). Bait may be removed from the pouch and placed in a feeding device that secures the unwrapped bait in a bait station. Discard empty wrapper in the trash.

Mice and Meadow Voles*: Apply 1 pouch per placement, usually spaced 8 to 12 feet apart. Up to 2 pouches may be needed at points of very high activity. Maintain a constant supply of fresh bait for 15 days or until signs of activity cease.

Rats: Apply 3 to 16 pouches per placement, usually spaced 15 to 30 feet apart. Maintain a constant supply of fresh bait for 10 days or until signs of rat activity cease.

Follow-up: Replace contaminated or spoiled bait. Wearing waterproof gloves, collect and dispose of all visible dead animals and leftover bait, as well as any bait that has become accessible to non-target animals. To discourage reinfestation, limit sources of rodent food, water and harborage as much as possible. If reinfestation does occur, repeat treatment. For a continuous infestation, set up permanent bait stations and replenish bait as needed. (061020)

STORAGE AND DISPOSAL

Do not contaminate water, food or feed by storage or disposal.

Pesticide Storage: Store in original container in a cool, dry place inaccessible to children and pets.

Pesticide Disposal: Wastes resulting from the use of this product may be disposed of in trash or at an approved waste disposal facility.

Container Handling: Nonrefillable container. Do not reuse or refill this container. Completely empty container, then dispose of empty container in trash or at an approved waste disposal facility.

WARRANTY: To the extent consistent with applicable law, seller makes no warranty, expressed or implied, concerning the use of this product other than indicated on the label. Buyer assumes all risk of use and/or handling of this material when such use and/or handling is contrary to label instructions.

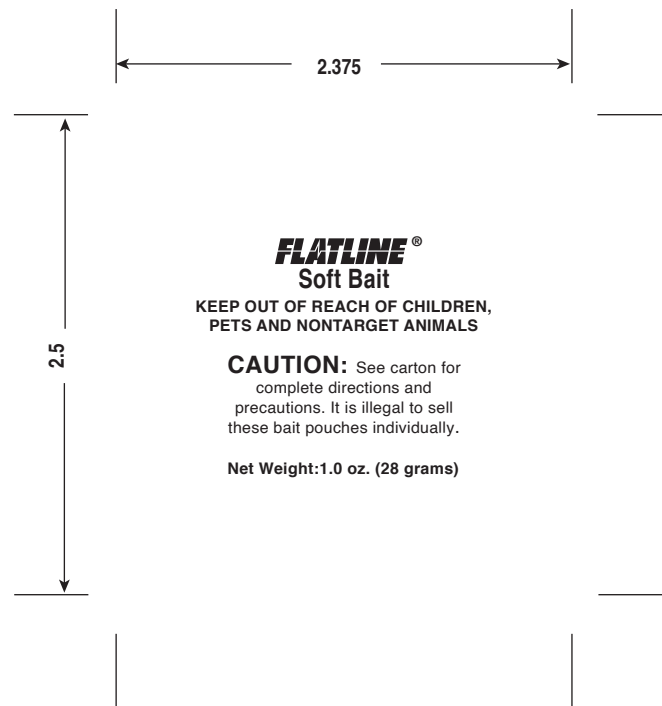
EPA Reg. No. 7173-708
EPA Est. No. 7173-WI-1

Product No. 80011623
Label No. 91009098-0322



10013549116238

Live
Print
Area
W=1.75 x H=1.375



**Live
Print
Area**
W=1.75 x H=1.375

